

PROVING CABINET

Use and maintenance manual

dr.Zanoli s.r.l.
via Casa Quindici 22
37060 Caselle di Sommacampagna VR
Tel. +39-0458581500 Fax +39-0458581455
VAT N.IT00213620230

proving cabinet
English manual
Cod. CL.UK.02
rev.0.2 del 18/01/07

INDEX

1	PRODUCT IDENTIFICATION	4
2	CONFORMITY WITH DIRECTIVES.....	4
3	TECHNICAL SPECIFICATIONS.....	4
4	PROVING CABINET INSTALLATION.....	6
4.1	Humidifier water connection (optionally).....	6
5	CONTROL PANEL.....	7
6	WORKING.....	8
6.1	Humidifier working (optionally)	8
7	PROVER SWITCH OFF	8
8	PROVER CLEANING.....	8
9	ELECTRICAL DIAGRAM.....	8
10	EXPLODED VIEWS AND SPARE PARTS LIST.....	11

1 Product identification

This chapter refers to the T2 POLIS, T2S POLIS, T3 POLIS, T4 POLIS, T6 POLIS proving cabinets of the Teorema Polis range, and to the Citizen 6 Modular / 6+6 Bicamera, 9 Modular / 9+9 Bicamera, Citizen 6 / 9 gas, Planet, Combi proving cabinets.

2 Conformity with directives

The T2 POLIS, T2S POLIS, T3 POLIS, T4 POLIS, T6 POLIS, Citizen 6 Modular / 6+6 Bicamera, 9 Modular / 9+9 Bicamera, Citizen 6 / 9 gas, Planet, Combi proving cabinets bear the following compulsory mark: **CE**

which guarantees their conformity to the following European directives:

- 89/336 CE electromagnetic compatibility
- 2006/95 CE low voltage

3 Technical specifications

The following table shows the proving cabinets' technical specifications

	T2 POLIS PROVER	T2S POLIS PROVER	T3 POLIS PROVER	T4 POLIS PROVER	T6 POLIS PROVER	Units of measure- ment
Weight						Kg
External dimensions external width external depth	h 94(70*) x w 125 x d 87	h 94(70*) x w 102 x d 107	h 94(70*) x w 166 x d 87	h 94(70*) x w 125 x d 147	h 94(70*) x w 166 x d 147	cm
Number of 60x40 baking sheets	20 20		40	30	60	n°
Electrical feed	single-phase					
Voltage 230						Vac
Frequency	50 o 60					Hz
Electricity 4.3		4.3	6.5	6.5	6.5	A
Electrical power	1	1	1.5	1.5	1.5	Kw
Humidifier electrical power	1					Kw
Electrical connection	Plugless 3 lead cable					
Cable length	2					m
Section of lead wires	2.5					mm ²
Baking chamber light						
Type Fluorescent	lamp					
Power 8						W
Max. temperature which can be set	90 °C					
Ambient conditions						
Temperature 0-40						°C
Maximum humidity	95% without condensation					

*Proving height in case of 3 stacked baking modules

	6 GAS CITIZEN PROVER	9 GAS CITIZEN PROVER	6 / 6+6 CITIZEN PROVER	9 / 9+9 CITIZEN PROVER	PLANET PROVER	COMBI PROVER	Units of measure- ment
Weight							Kg
External dimensions external width external depth	h 82 x w 97 x d 116	h 82 x w 127 x d 116	h 94 x w 137 x d 91	h 94 x w 137 x d 126	h 83 x w 80 x d 121	h 47,5 x w 102 x d 121	cm
Number of 60x40 baking sheets	20 20 20			20	10	6	n°
Electrical feed	single-phase						
Voltage 230							Vac
Frequency	50 o 60						Hz
Electricity 4.3		4.3	4.3 6.5		4.3	4.3	A
Electrical power	1	1	1	1.5	1	1	Kw
Humidifier electrical power	1						Kw
Electrical connection	Plugless 3 lead cable						
Cable length	2						m
Section of lead wires	2.5						mm ²
Baking chamber light							
Type Fluorescent	lamp						
Power 8							W
Max. temperature which can be set	90						°C
Ambient conditions							
Temperature 0-40							°C
Maximum humidity	95% without condensation						

4 Proving cabinet installation

For the electrical connection of the proving cabinet, please refer to chapter 5.

See figure 10.1 for the exact position of the electrical feed input (1).

4.1 Humidifier water connection (optionally)

Connect the humidifier water inflow to the plumbing, with a cock.

Connect the water outflow of the humidifier-discharge to the plumbing (3). Verify that the water outflow discharges in a trap.

See Figure 10.1 for the exact position of the water in-and outflow.

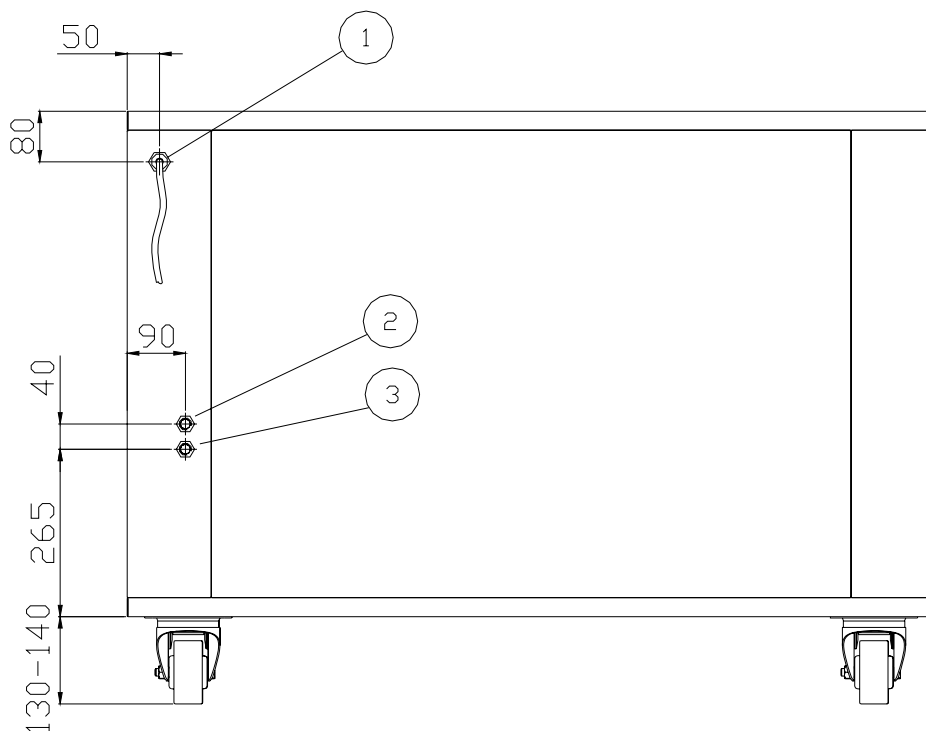


Fig.10.1 Connections position

N°	DESCRIPTION
1	Electrical feed input
2	Humidifier water inflow (optionally)
3	Humidifier water discharge (optionally)

WARNING:

Before giving current to the heating elements, remember to open the water inflow (only in the version supplied with humidifier).

5 Control panel

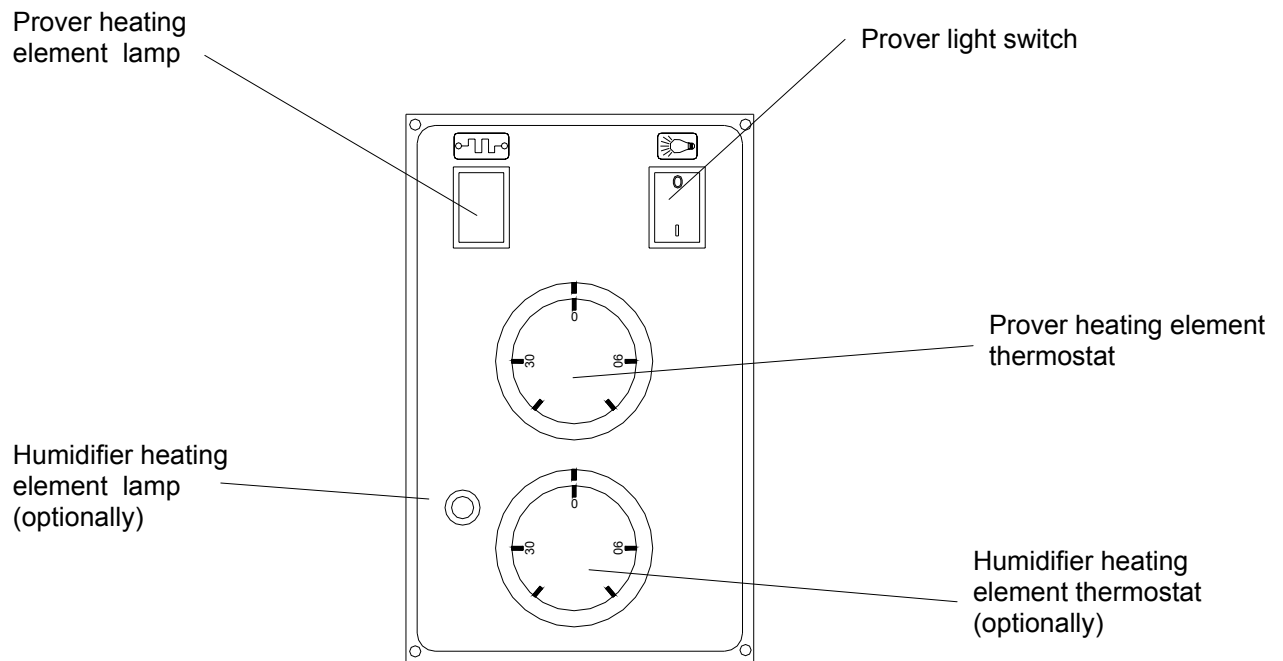



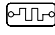
Fig. 10.2. Control panel

6 Working

Figure 10.2 shows the control panel with all controls.

To switch on the prover heating elements, move the prover heating element

thermostat  and set a leavening temperature.


When the desired temperature has been set, the prover heating element lamp will switch on, , up to the settled temperature.

6.1 Humidifier working (optionally)

WARNING:


before using the humidifier, be sure that the in-outflow plumbing has been connected.

Once the water has been put into the humidifier bowl, turn the humidifier heating

element thermostat  (see Fig. 10.2), to heat the water and create in this way the desired humidity.

The humidifier is equipped with a float and a water level device.

7 Prover switch off

At the end of each working day, put the thermostat indicator  on the position 0, and possibly close the water inflow cock.

In case of extended periods of idleness (for example for vacations), it is advisable to turn off the main switch on the electrical panel.

8 Prover cleaning

See cleaning chapter in the oven manual.

9 Electrical diagram

Figure 10.3 shows the electrical diagram at 230Vac single phase.

Figure 10.4 shows the electrical diagram at 230Vac single phase with humidifier (optionally).

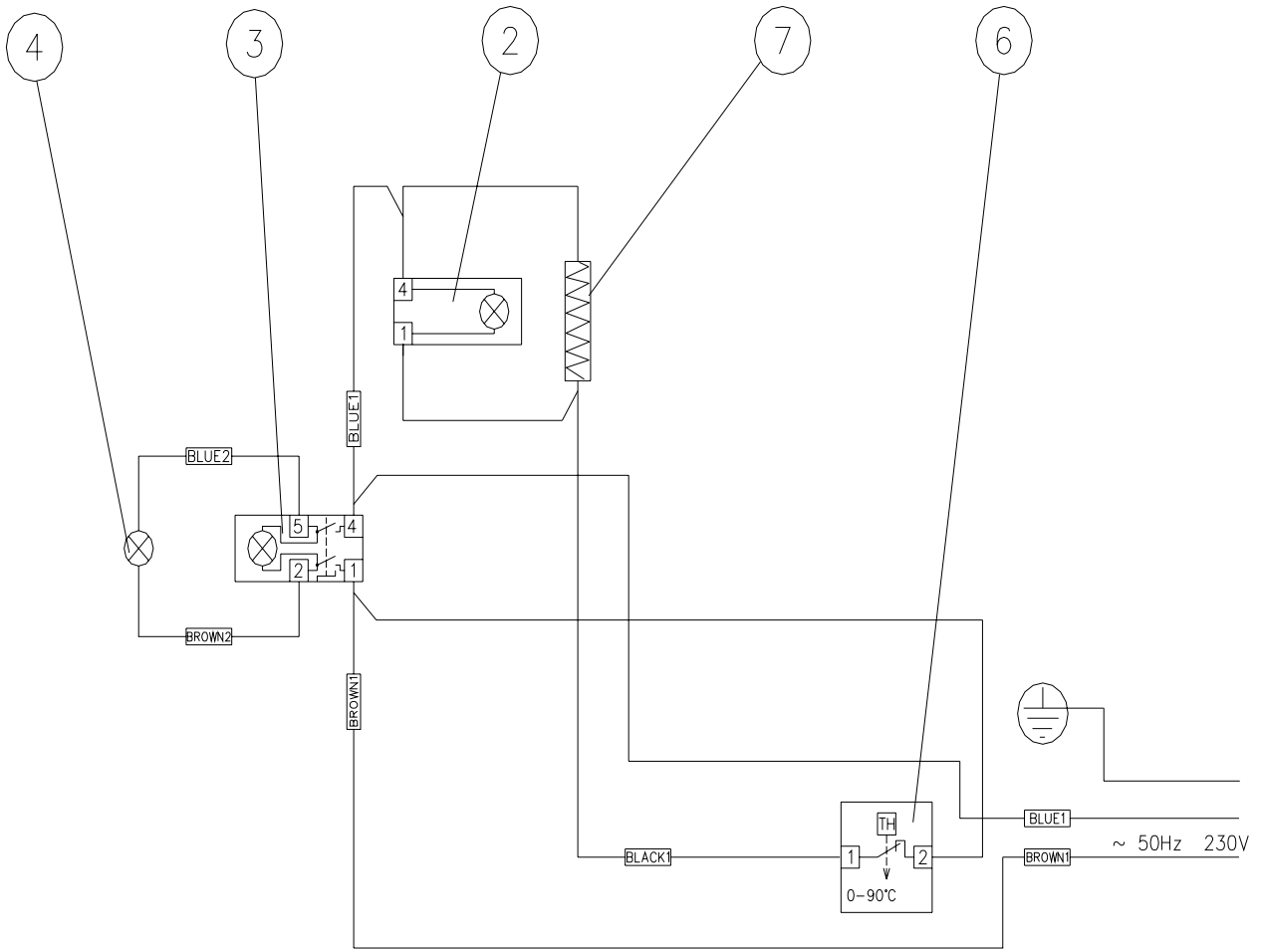


Fig. 10.3 - Electrical diagram at 230Vac single phase

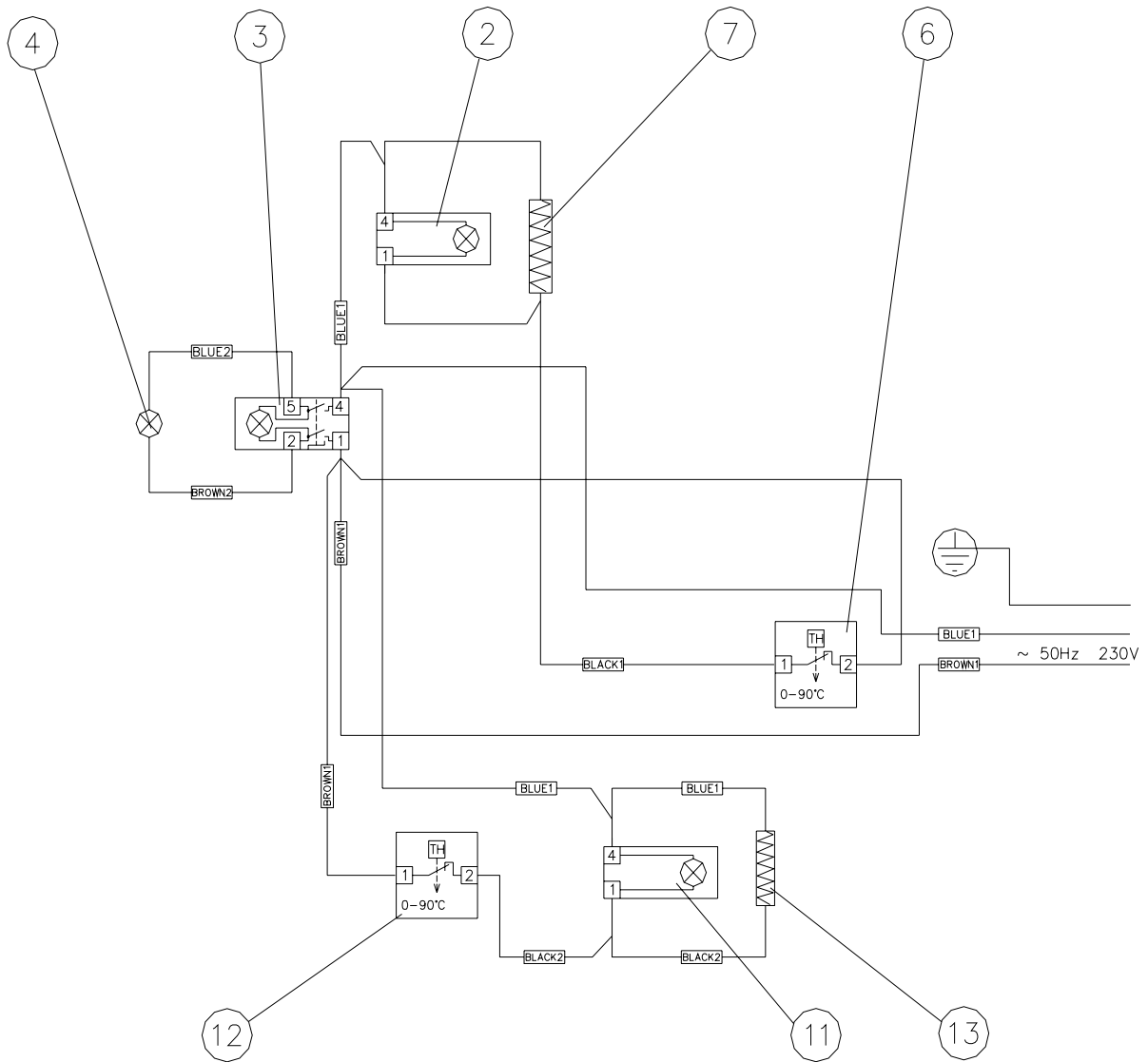


Fig.10.4 - Electrical diagram at 230Vac single phase with humidifier (optionally).

10 Exploded views and spare parts list.

In order to simplify the breakdown search and any necessary replacement of damaged parts, we give a list of spare parts and exploded diagrams showing each of the listed parts.

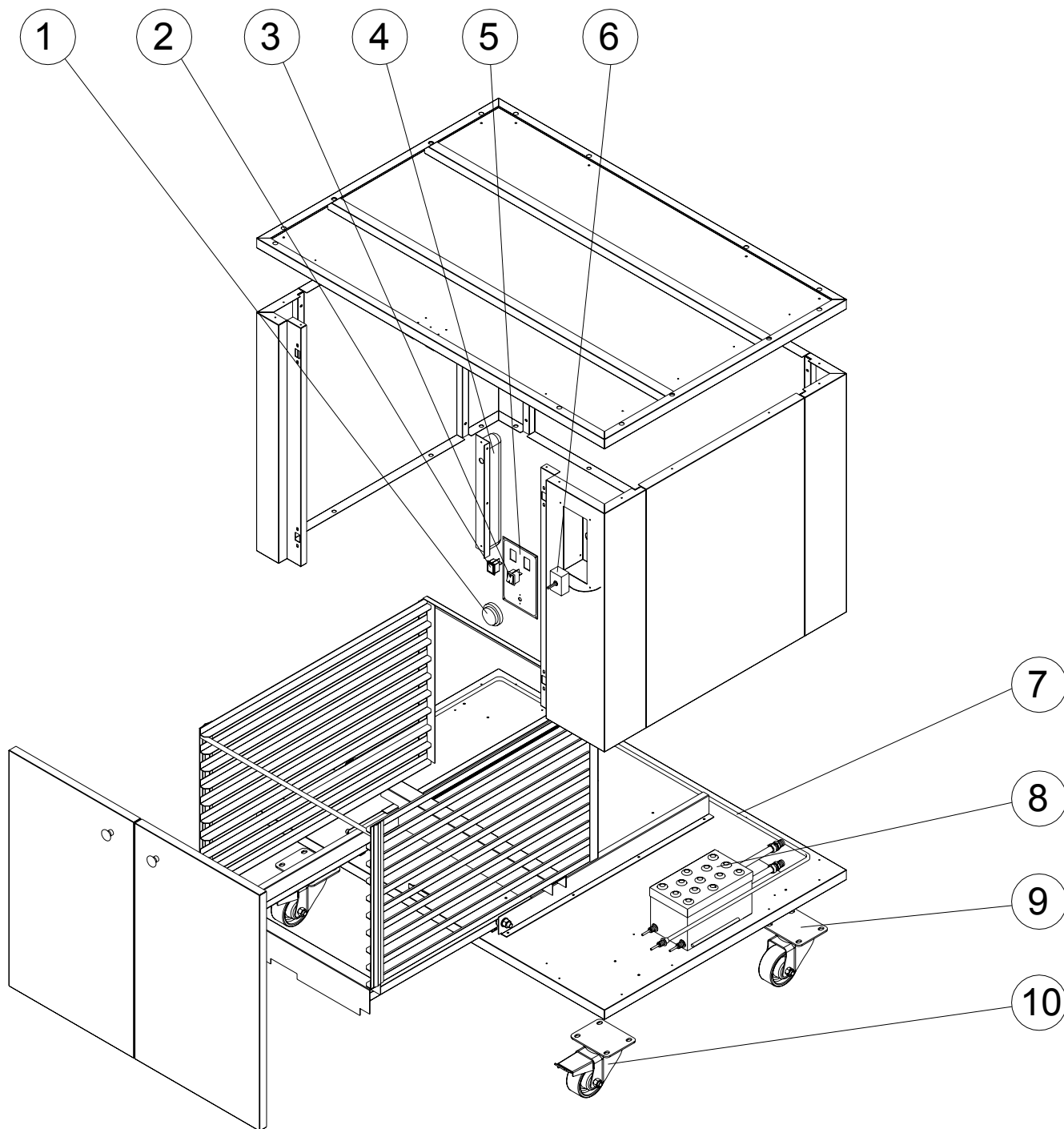


Fig. 10.5 - Prover exploded view

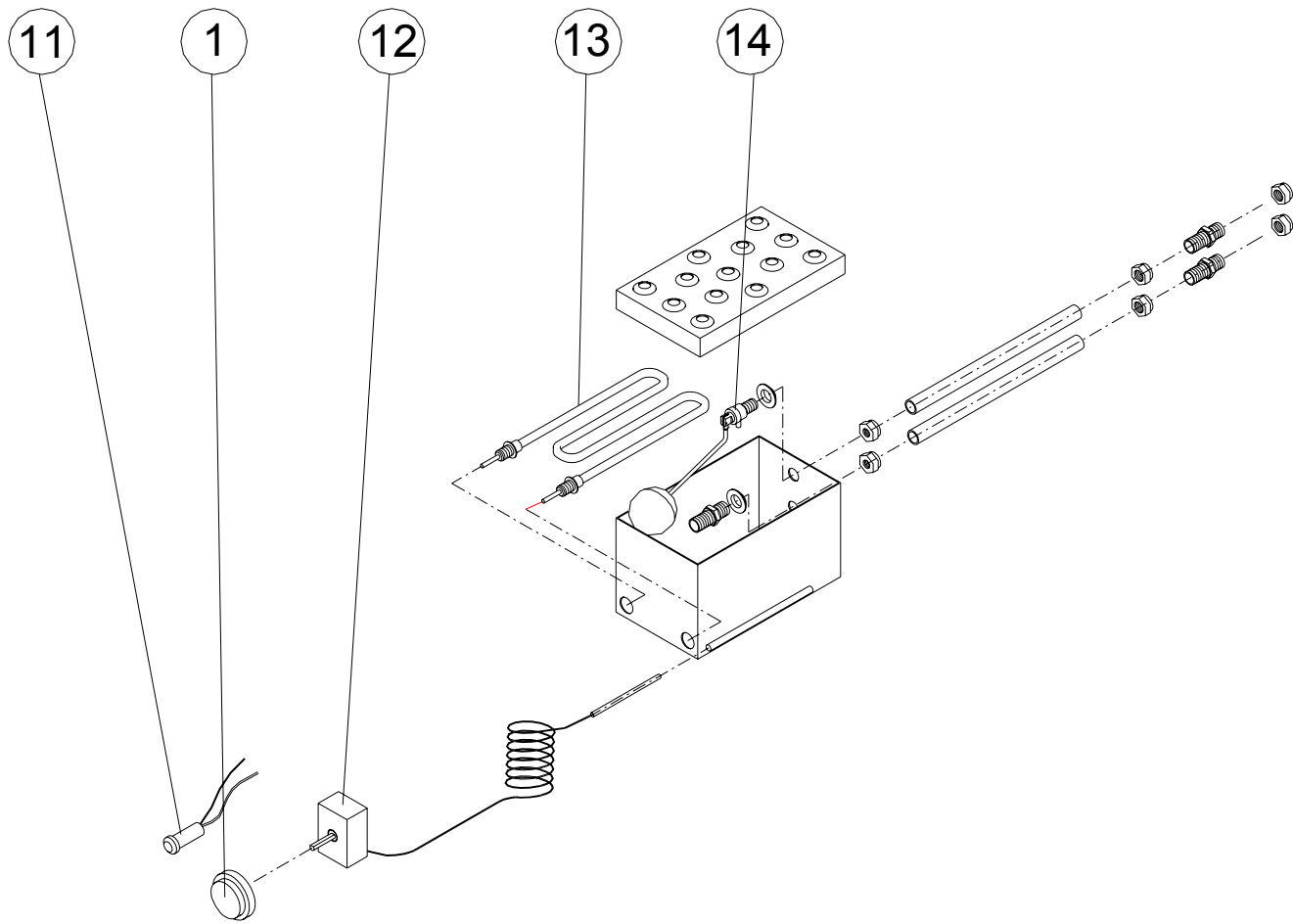
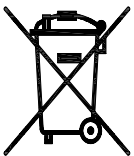


Fig. 10.6 - Humidifier exploded view (optionally)

N°	Description Prover	Code		
		T2 / T2S POLIS CITIZEN 6 / 6+6 CITIZEN 6 / 9 GAS COMBI	T3 / T4 / T6 POLIS CITIZEN 9 / 9+9	PLANET
1	PROVER HEATING ELEMENT THERMOSTAT KNOB	MANI0025 MANI0025		MANI0025
2	GREEN LIGHT	LAMP0006 LAMP0006		LAMP0006
3	YELLOW SWITCH 0-1	INTE0009 INTE0009		INTE0009
4	LAMP	LAMP0048 LAMP0048		LAMP0048
5	CONTROL PANEL	PANN0137 PANN0137		PANN0137
6	PROVER HEATING ELEMENT THERMOSTAT	TERM0002 TERM0002		TERM0002
7	PROVER HEATING ELEMENT	RESI0008 RESI0005		RESI0008
8	HUMIDIFIER KIT (only upon request)			
9	WHEELS WITHOUT BRAKES	RUOT0016 RUOT0016		RUOT0017
10	WHEELS WITH BRAKES	RUOT0001 RUOT0001		RUOT0003
11	HUMIDIFIER LIGHT (optionally)	LAMP0019 LAMP0019		LAMP0019
12	HUMIDIFIER HEATING ELEMENT THERMOSTAT (optionally)	TERM0002 TERM0002		TERM0002
13	HUMIDIFIER HEATING ELEMENT (optionally)	RESI0016 RESI0016		RESI0016
14	FLOAT (optionally)	GASI0011 GASI0011		GASI0011

TAB. 10.1 Spare-parts list prover



Separate collection. This product must not be disposed of with normal household waste. Local regulations may provide for separate collection of this kind of product.